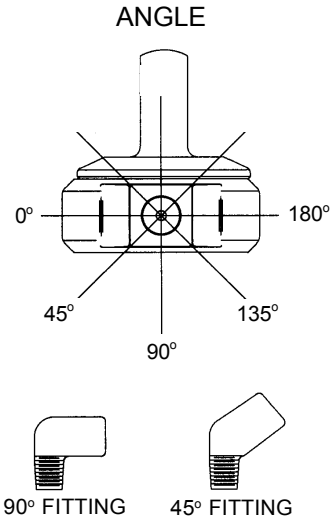
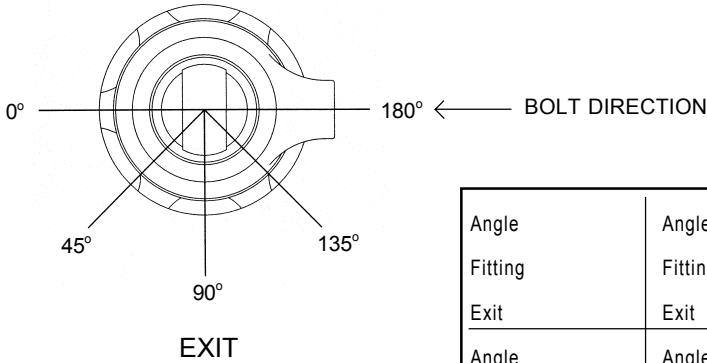




8760 Remote

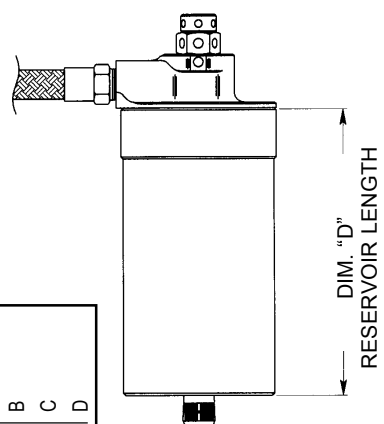
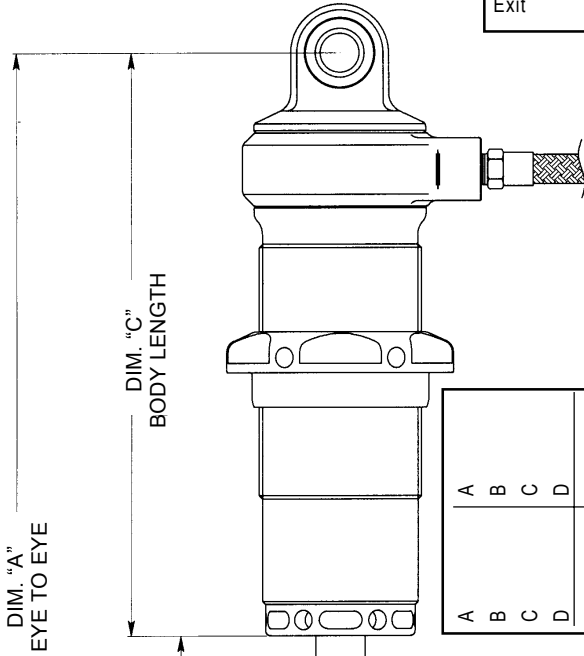
Name _____
 Team _____
 Phone _____ Fax _____
 Date _____



Angle	Angle
Fitting	Fitting
Exit	Exit
Angle	Angle
Fitting	Fitting
Exit	Exit

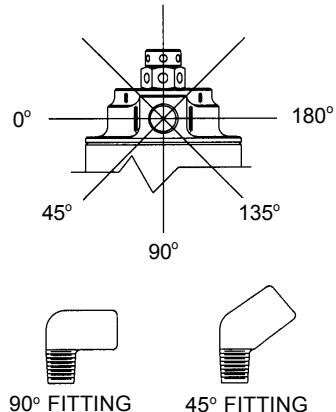
Body 55mm 45mm

Spring Hardware 2.50" 2.25" 2.00"



A	B	C	D	A	B	C	D

Piston	Valving			
	C	R	C	R
Chassis: _____				
Note: _____				

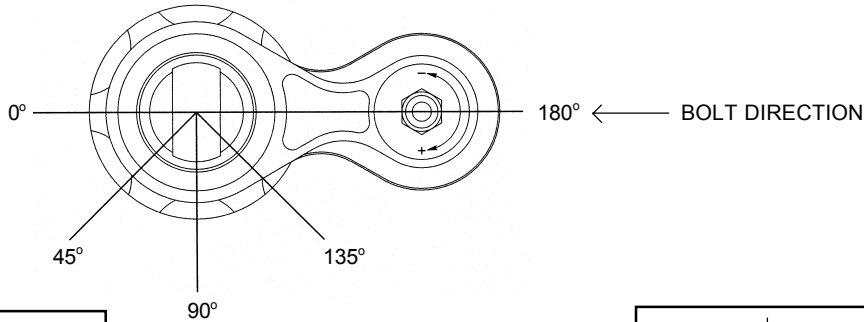


Angle	Angle
Fitting	Fitting
Hose Length	Hose Length
Angle	Angle
Fitting	Fitting
Hose Length	Hose Length



8760 Piggyback

Name _____
 Team _____
 Phone _____ Fax _____
 Date _____

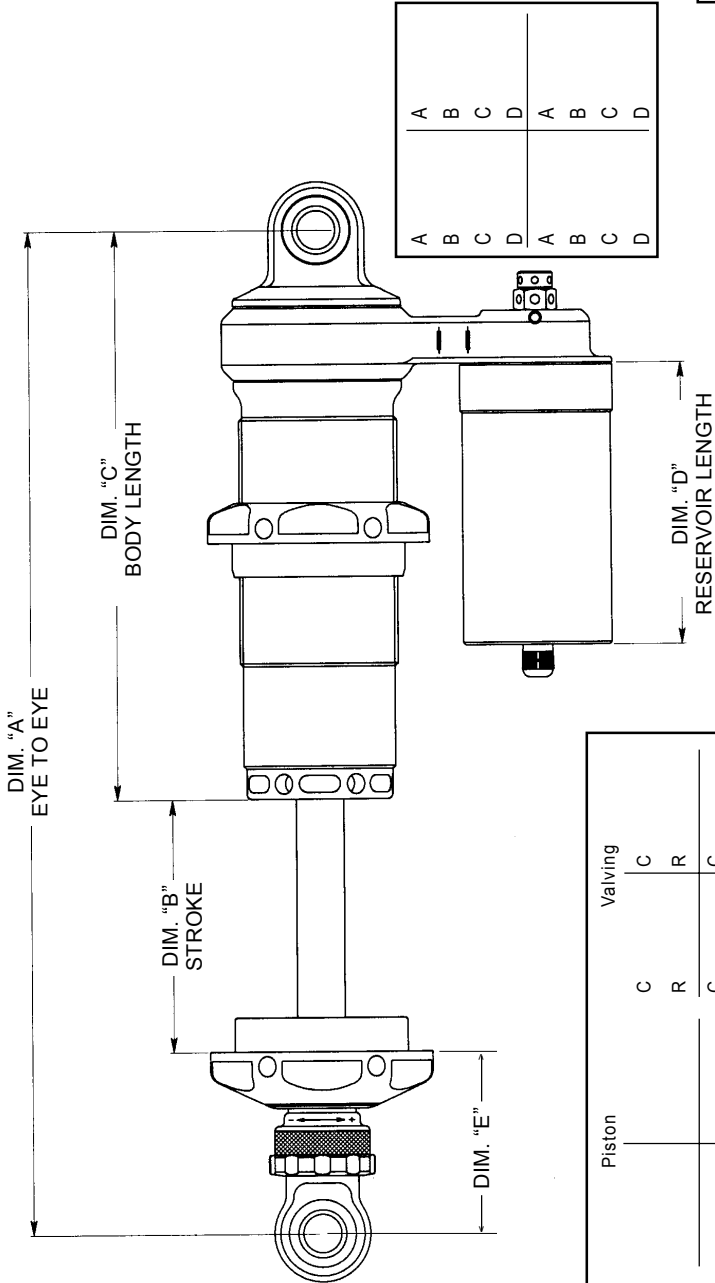


CANISTER CLOCKING

DIM "D"	4.00
	5.00
	6.00
DIM "E"	2.277 for 2.100 Eyelet (std.)
	2.477 for 2.300 Eyelet
	2.777 for 2.600 Eyelet

DIM "A"	DIM "B"	DIM "C"	DIM "A"	DIM "B"	DIM "C"
10.0	1.875	5.850	14.5	4.125	8.100
10.5	2.125	6.100	15.0	4.375	8.350
11.0	2.375	6.350	15.5	4.625	8.600
11.5	2.625	6.600	16.0	4.875	8.850
12.0	2.875	6.850	17.5	5.625	9.600
12.5*	3.125	7.100	18.0	5.875	9.850
13.0	3.375	7.350	20.0	6.875	10.850
13.5	3.625	7.600	22.0	7.875	11.850
14.0	3.875	7.850	24.0	8.875	12.850

* 12.5 (DIM "A") max for 45mm



A	B	C	D	A	B	C	D
B	C	D	A	C	D	A	B
C	D	A	B	D	A	B	C
D	A	B	C	A	B	C	D

Body 55mm
 45mm
 Spring Hardware 2.50"
 2.25"
 2.00"

Chassis: _____
 Note: _____